



OUTBACK MOTORCYCLES

BMW F 900 GS

QUICK ASSEMBLY GUIDE | REAR RACK COMBO

FOR FULL INSTALLATION INSTRUCTIONS, PLEASE WATCH [THIS VIDEO](#).

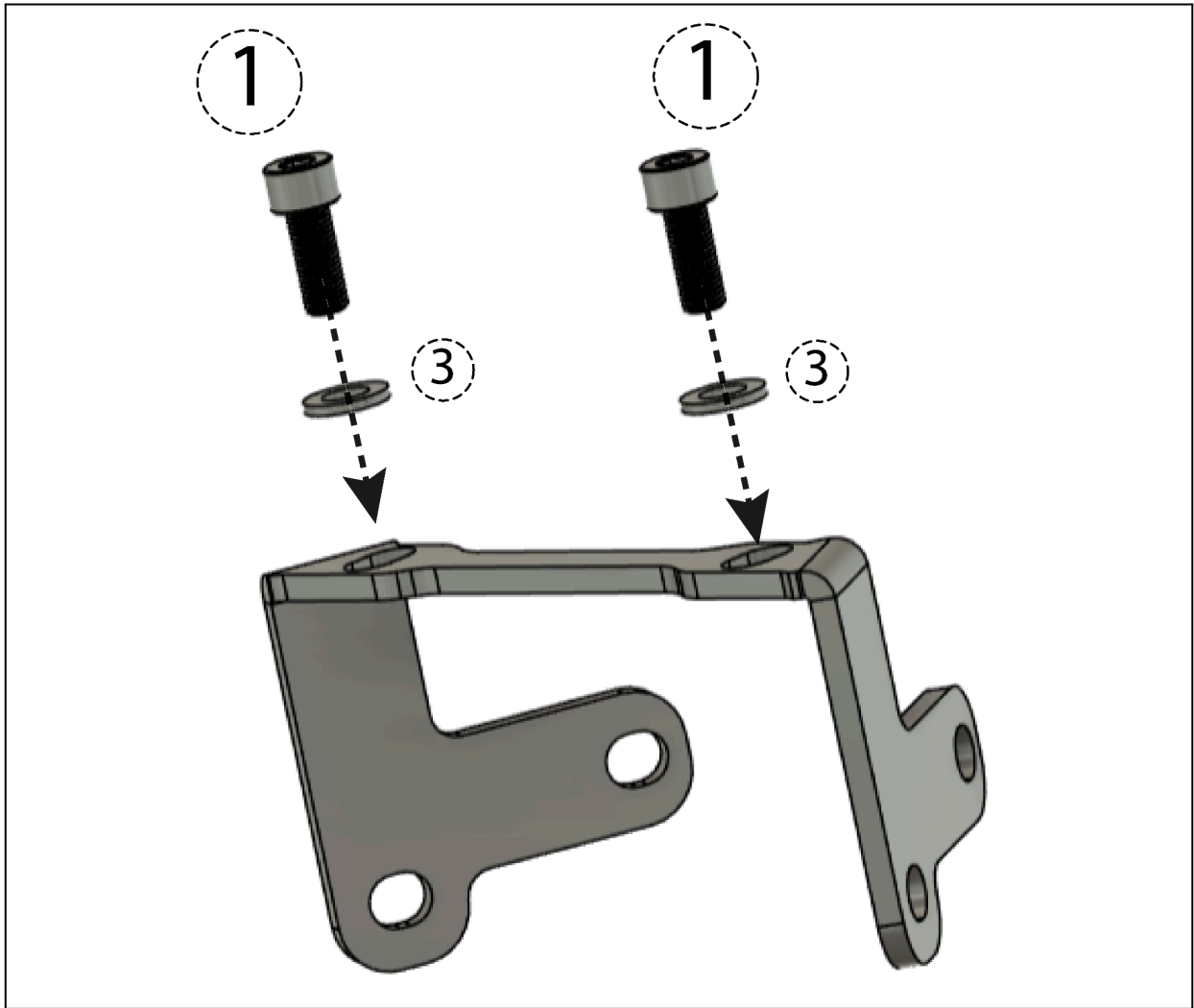
Tools Required

- 13mm Wrench/Spanner
- Ratchet
- 6mm Allen Socket
- Blue Loctite (recommended)

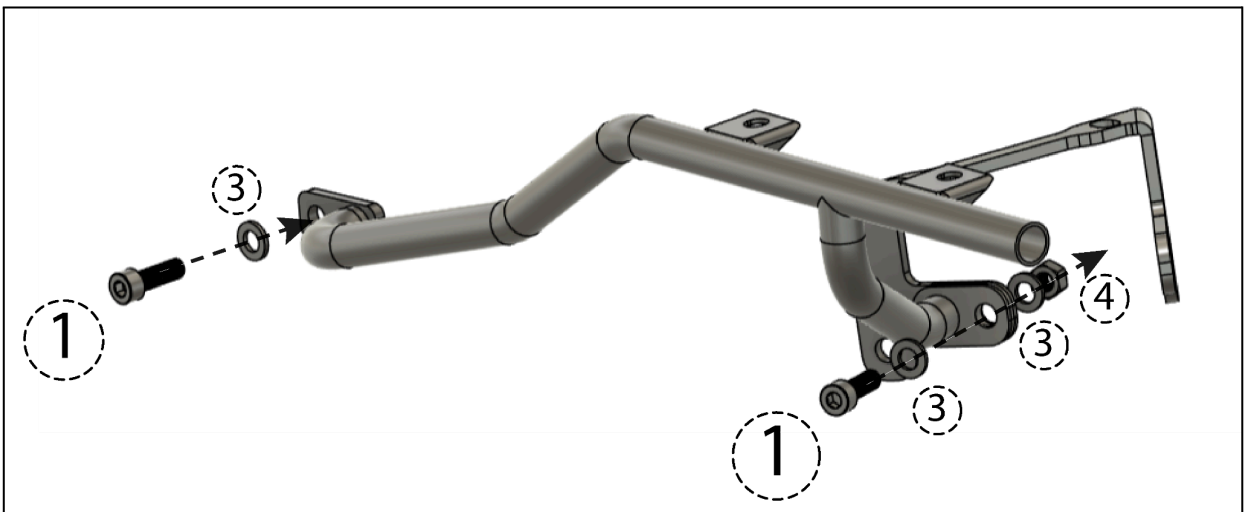
Number	QTY	Specifications	Torque (NM)
<u>1</u>	6	M8 x 25mm Allen Bolt	23
<u>2</u>	4	M8 x 20mm Tapered Allen Bolt	23
<u>3</u>	12	M8 Washer	-
<u>4</u>	4	M8 Nyloc Nut	-

* PLEASE REFER TO THE OWNER'S (OR SERVICE) MANUAL FOR OEM TORQUE SPECIFICATIONS.*

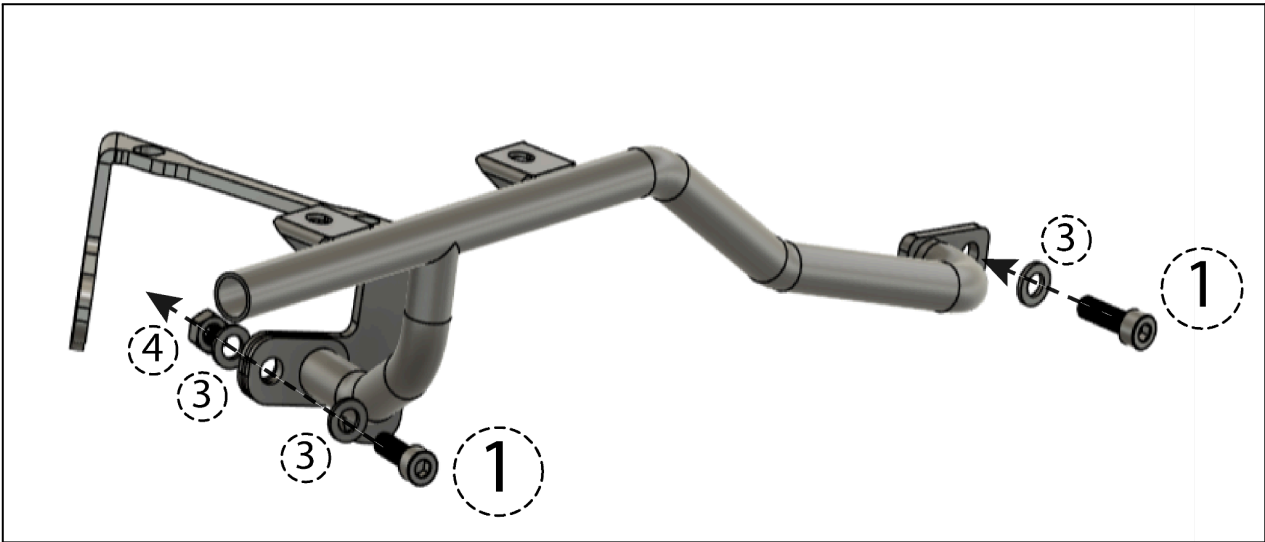
STEP 1:



STEP 2:



STEP 3:



STEP 4:

